

255 w. Riverview
(Materials)

24-HOUR ENVELOPE DEPOSITORY

Convenience and
simplicity for your customers

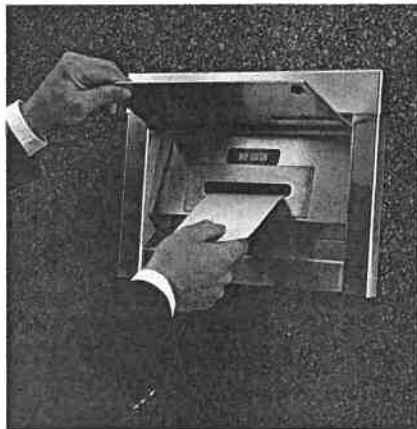


DIEBOLD

Extend services to your valued customers

Simplicity and convenience make this 24-Hour Envelope Depository a welcome addition to today's full-service organizations. Diebold, the security industry's leader, offers you a way to extend your services to your valued customers with an envelope depository that's simple to install and easy for your customers to use.

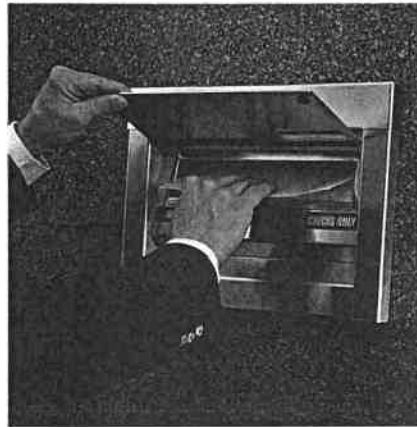
The Diebold 24-Hour Envelope Depository will help you attract new



Envelope deposits are made easily and conveniently, extending your customer service offerings beyond regular business hours.

customers who require the added speed and convenience of completing deposits after regular business hours.

Your customers will appreciate the fact that you are meeting their needs by offering them this practical convenience. The 24-Hour Envelope Depository is designed and built with the high quality standards you can depend on from Diebold.



Optional built-in envelope storage allows you to customize your installation according to individual business requirements.

Customer Benefits

- Unit provides 24-hour convenience through-the-wall of any business premises.
- Deposits can be made easily in seconds.
- Door lifts effortlessly to expose the envelope slot.
- Attractive stainless steel finish adds to the overall appearance and design.
- Adjustable wall clamps and pre-cut chute access into locker facilitate quick and easy installation.
- Select with or without built-in envelope storage, depending on individual business requirements.
- Alternate design can accept video cassettes in its 1 3/8" x 6" deposit slot.
- Locker designed to handle even high volume locations.
- Locker with prime painted grey finish can be easily painted to coordinate with any color scheme.

Security

- U.L. Group 2 three-tumbler key change combination lock promotes internal security.
- Locker is constructed with 1/2" steel door and 1/8" steel body to resist unauthorized entry.
- Built to Diebold's exacting security standards, but not intended for the deposit of cash and negotiables. For applications requiring such deposits, we recommend Diebold U.L. approved After-Hour Depositories.



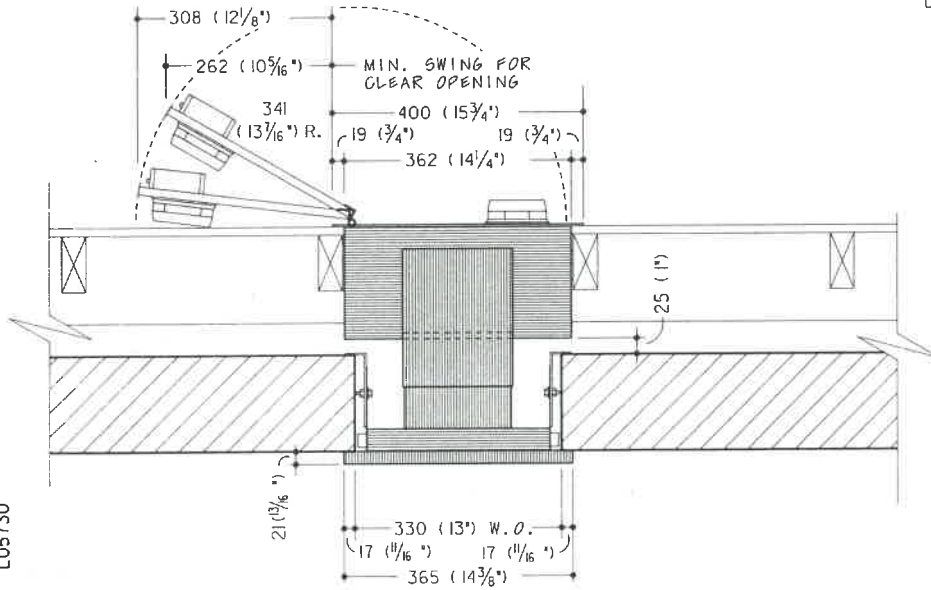
Diebold has the most complete line of physical security products available in the industry today. We'll work with you to evaluate your risks, define your needs, custom-design a plan, coordinate the installation and ensure prompt, dependable service for a total system solution designed specifically for your needs.

Whether it's physical or electronic security systems, Diebold is the one company that's been changing the way people think about security since 1859.

For more information on Diebold transaction, physical or electronic security systems, contact Diebold, Incorporated, P.O. Box 8230, Canton, OH 44711. Or phone 1-800-999-3600.

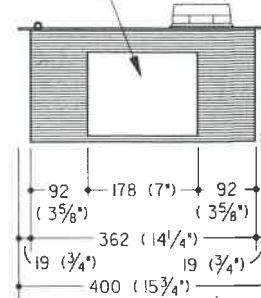
DIMENSIONS IN MILLIMETRES
(DIMENSIONS IN INCHES)

THIRD ANGLE
PROJECTION



PLAN VIEW

OPENING IN TOP OF LOCKER
FOR CHUTE



PLAN VIEW

BACK OF DEPOSITORY MUST BE ACCESSIBLE DURING INSTALLATION TO PERMIT ATTACHING ADJUSTABLE WALL.

L05730

LITHO IN U.S.A. 0492-19

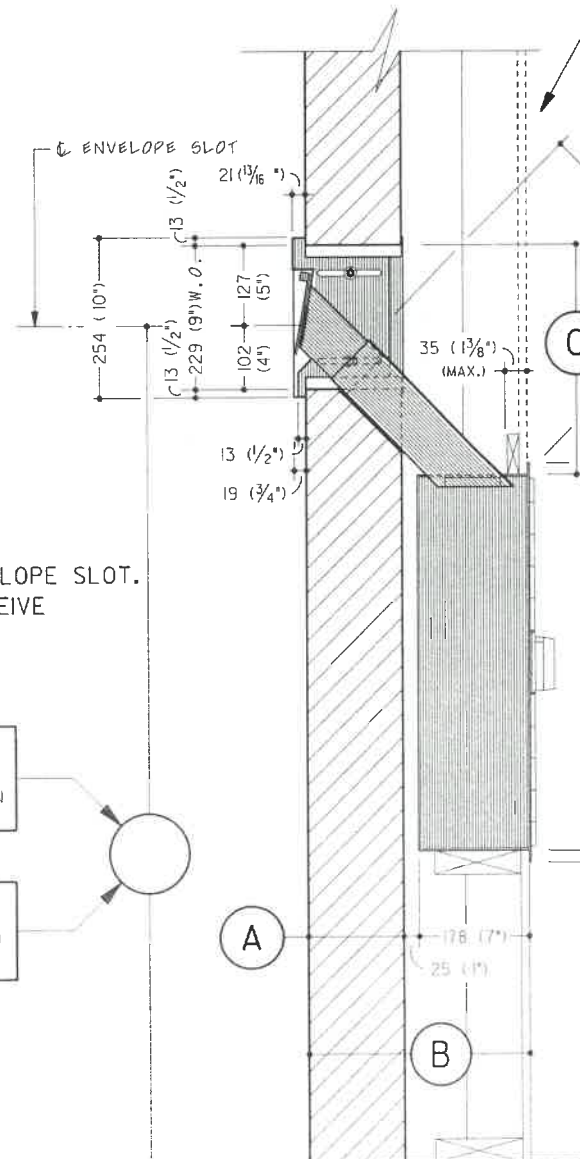


MODEL 163-33 IS STANDARD WITH 14 (9/16") X 127 (5") ENVELOPE SLOT. SLOT CAN BE CONVERTED TO 35 (1 3/8") X 152 (6") TO RECEIVE VCR TAPES BY REMOVING RESTRICTOR PLATE AT TIME OF INSTALLATION.

ALL DIMENSIONS AND DESIGN CRITERIA SUBJECT TO CHANGE WITHOUT NOTICE.

STANDARD INSTALLATION HEIGHT PER A.O.A. GUIDELINES
1244 (49") OPTIMUM FROM SIDEWALK TO OPERATING HEIGHT LINE; DIMENSION MUST BE HELD

ALTERNATE INSTALLATION HEIGHT
1346 (53") OPTIMUM FROM SIDEWALK TO OPERATING HEIGHT LINE; DIMENSION MAY VARY TO SUIT INSTALLATION



A

B

C

EXTERIOR ELEVATION

VERTICAL SECTION

FILE NO. 172-30 REV. 1

SCHEDULE

A	152 (6")	165 (6½")	178 (7")	191 (7½")	203 (8")	216 (8½")	229 (9")	241 (9½")	254 (10")	267 (10½")	279 (11")	292 (11½")	305 (12")
B	356 (14")	368 (14½")	381 (15")	394 (15½")	406 (16")	419 (16½")	432 (17")	444 (17½")	457 (18")	470 (18½")	483 (19")	495 (19½")	508 (20")
C	365 (14¾")	378 (14⅞")	391 (15¾")	403 (15⅞")	416 (16¾")	429 (16⅞")	441 (17¾")	454 (17⅞")	467 (18¾")	479 (18⅞")	492 (19¾")	505 (19⅞")	518 (20¾")
D	330 (13")	349 (13¾")	368 (14½")	387 (15¼")	406 (16")	425 (16¾")	445 (17½")	464 (18¼")	483 (19")	502 (19¾")	521 (20½")	540 (21¼")	559 (22")

SPECIFICATIONS:

#163-33 ENVELOPE DEPOSITORY

EXTERIOR FINISH: _____ STAINLESS STEEL

WEIGHT INCLUDING CHUTE: _____ 13.5 kg (30 LBS.)

#163-34 ENVELOPE DEPOSITORY WITH ENVELOPE STORAGE AREA

EXTERIOR FINISH: _____ STAINLESS STEEL

WEIGHT INCLUDING CHUTE: _____ 13.5 kg (30 LBS.)

ENVELOPE STORAGE CAPACITY: _____ 75 ENVELOPES

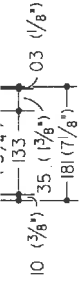
#163-32 LOCKER

CONSTRUCTION: _____ 03 (⅛") STEEL BODY — 13 (½") STEEL DOOR

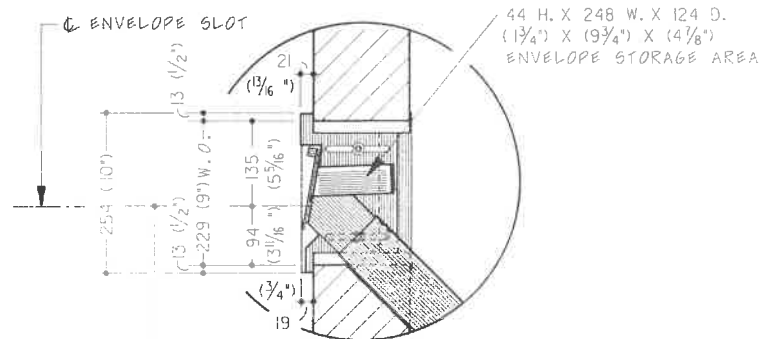
LOCK: _____ GROUP 2 (3) TUMBLER KEY CHANGE COMBINATION LOCK

FINISH: _____ PRIME PAINTED GRAY

WEIGHT: _____ 36.5 kg (81 LBS.)



AMP6



STANDARD INSTALLATION HEIGHT PER A.O.A. GUIDELINES 1244 (49") OPTIMUM FROM SIDEWALK TO OPERATING HEIGHT LINE, DIMENSION MUST BE HELD

ALTERNATE INSTALLATION HEIGHT 1346 (53") OPTIMUM FROM SIDEWALK TO OPERATING HEIGHT LINE, DIMENSION MAY VARY TO SUIT INSTALLATION

MODEL 163-34 ENVELOPE DEPOSITORY WITH ENVELOPE STORAGE

MODEL 163-34 HAS AN ENVELOPE SLOT OF 14 (⅝") X 127 (5")



Commercial Deal Drawer



The Diebold Commercial Deal Drawer is an effective robbery deterrent when combined with a Diebold bullet-resistant window. The unit's interlocking design prevents the drawer from being extended to the customer unless the inner door is completely closed, allowing for normal customer service without direct contact between customers and employees. The combination of the new deal drawer with a Diebold bullet-resistant window allows you to extend business hours and offer convenient customer service while providing a safe work environment.

New drop front feature for flexibility

The new drawer design is a modification to standard utility drawer and can be used for walk-up or drive-up service. The drop front feature, as well as the sliding transaction tray, gives drivers easier access to the drawer without having to get out of their vehicle.

When a walk-up application is required, the drop front is secured by two screws, which prevent the front from dropping.

Built-in audio

All commercial deal drawers come equipped with a built-in Comm Master® audio component system which includes a speaker, microphone and an interconnect wire/plug. The interconnect wire/plug can be connected to a Comm Master switcher box (either 2 on 4 or 4 on 8) or the optional Comm Master Audio System (1 on 1).

Easy operation and greater convenience

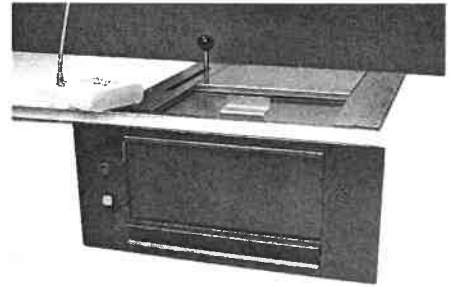
The drawer easily extends and retracts using a lever located on the countertop. The drawer can accommodate up to 1,300 cubic inches (3,302 cubic cm), or a twelve pack of beverages, and also comes equipped with a transaction tray, which rests in the top portion of the package bin. This tray is used to transfer cash and credit cards between your employee and the customer.

Easy installation

The drop front drawer is very easy to install and can be done by a local contractor using conventional tools. The entire unit weighs under 150 lbs. (68.04 kg) and requires a wall opening of only approximately two feet wide by less than one foot high. A bolt-in bracket allows the unit to fit variable wall thicknesses.

Features

- Level 3 BR Rating Equivalency (Independent Laboratory Tested)
- Polished stainless steel and powder coated paint finishes
- Manual operation
- Customer call button



Options

The Comm Master 1 on 1 audio control is an option which includes a microphone, amplifier and speaker for use by the operator. This option is needed in the absence of a VAT or in a stand-alone installation.



SPECIFICATIONS

DRAWER SIZE

26" W x 28" D x 11.75" H
(66.04 cm x 71.12 cm x 29.85 cm)

DRAWER WEIGHT

145 lbs (65.77 kg)

PACKAGE BIN

14" W x 13" D x 7.19" H
(35.56 cm x 33.02 cm x 18.26 cm)

TRANSACTION TRAY

13" W x 12" D x 1.75" H
(33.02 cm x 30.48 cm x 4.45 cm)

DIEBOLD

P.O. Box 3077 • Dept. 9-79
North Canton, Ohio 44720-8077

(DIMENSIONS IN FEET-INCHES)
DIMENSIONS IN MILLIMETRES

THIRD ANGLE
PROJECTION

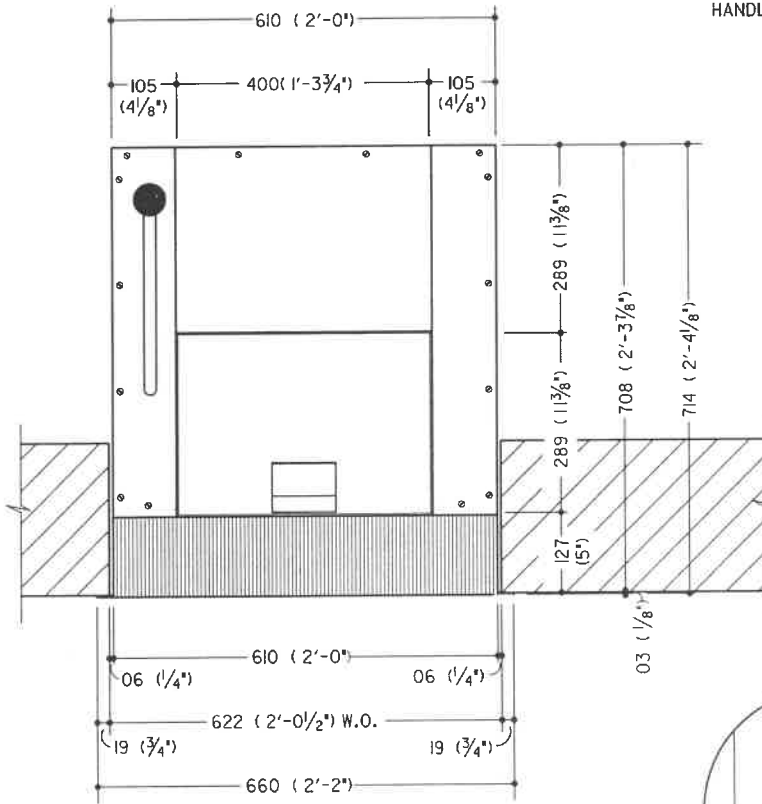
L29635

LITHO IN U.S.A. 0796•19

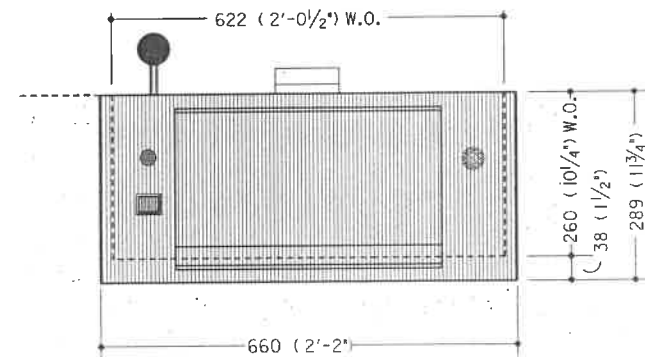


*ALL DIMENSIONS AND DESIGN CRITERIA
SUBJECT TO CHANGE WITHOUT NOTICE*

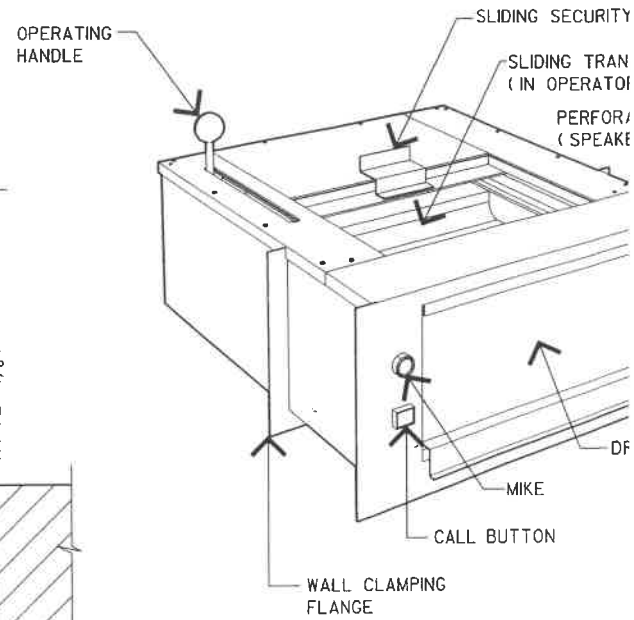
FILE NO. 174-35



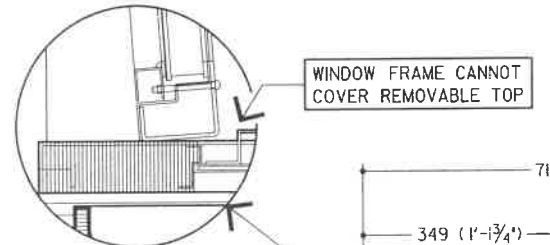
PLAN VIEW



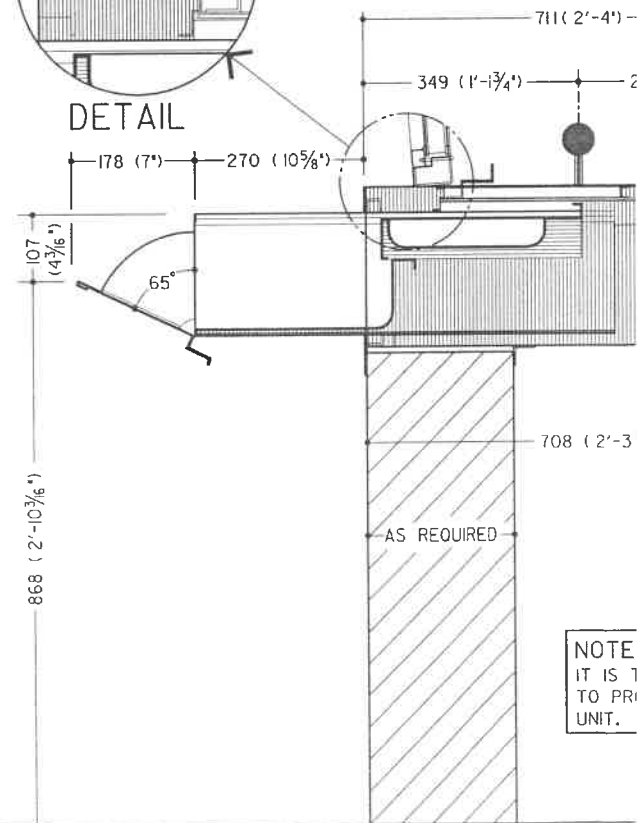
EXTERIOR ELEVATION



PERSPECTIVE



DETAIL



VERTICAL SECTION

NOTE
IT IS 1
TO PRI
UNIT.

SPECIFICATIONS

LEVEL THREE EQUIVALENT MANUFACTURES RATED BULLET RESISTANCE (H.P. WHITE TESTED)

OPERATION: MANUAL ONLY

SIZE (CLEAR INSIDE): PACKAGE BIN 14"W. X 13"D. X 7³/₁₆"H.
TRANSACTION TRAY 13"W. X 12"D. X 1³/₄"H.

WEIGHT: 66kg (145 LBS).

AUDIO SYSTEM: Comm Master AUDIO
WITH VATS - USE VAT AUDIO SYSTEM
WITHOUT VATS - USE #134-34A ONE ON ONE AUDIO SYSTEM
(SEE Comm Master OPERATING INSTRUCTIONS FILE NO. TP-799678-000B)

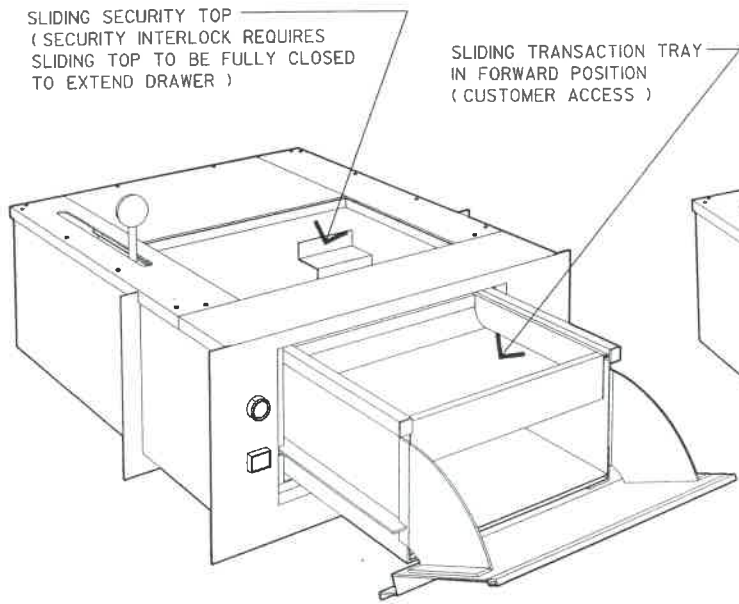
FINISH:

ITEMS
STAINLESS STEEL

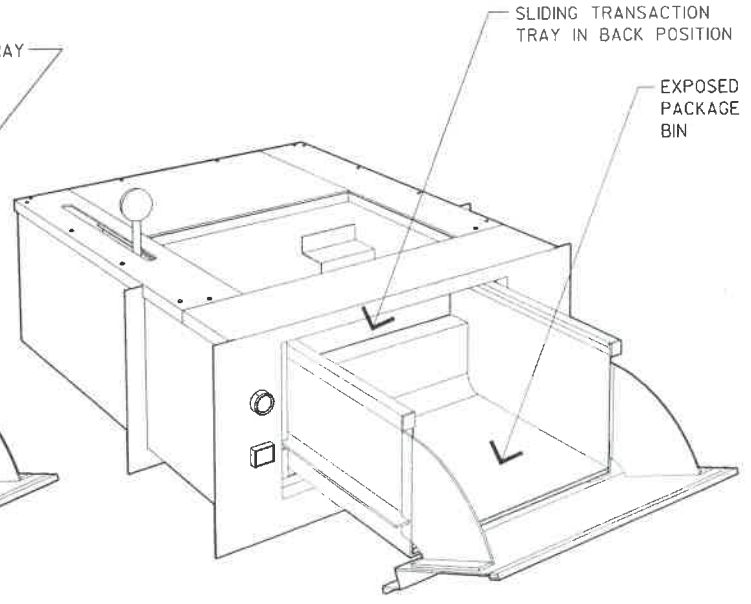
ITEMS
PAINTED BLACK POLYURETHANE

TOP
SLIDING TOP
DRAWER BODY
TRANSACTION TRAY
PACKAGE BIN
HANDLE SHAFT

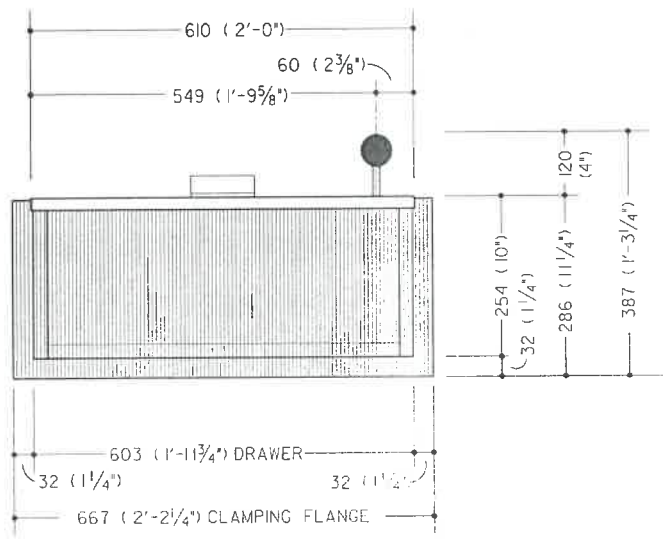
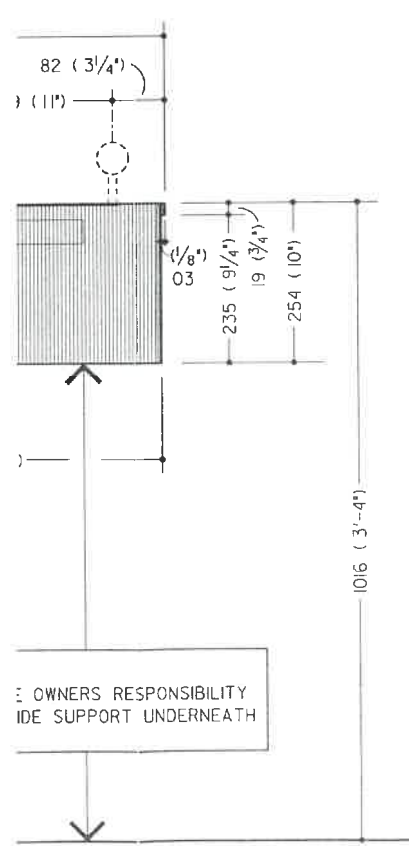
SIDES AND BACK OF UNIT BODY
WALL CLAMPING FLANGE
FRONT FLANGE
DRAWER FRONT
PERFORATED GRILLE



PERSPECTIVE
(TRANSACTION TRAY SHOWN)



PERSPECTIVE
(PACKAGE BIN SHOWN)



INTERIOR ELEVATION

SPECIFICATIONS

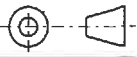
INPUT: 120V, .5 AMP, 60HZ
 COLOR: PEARL WHITE
 MICROPHONE - SILVER

NOTES:

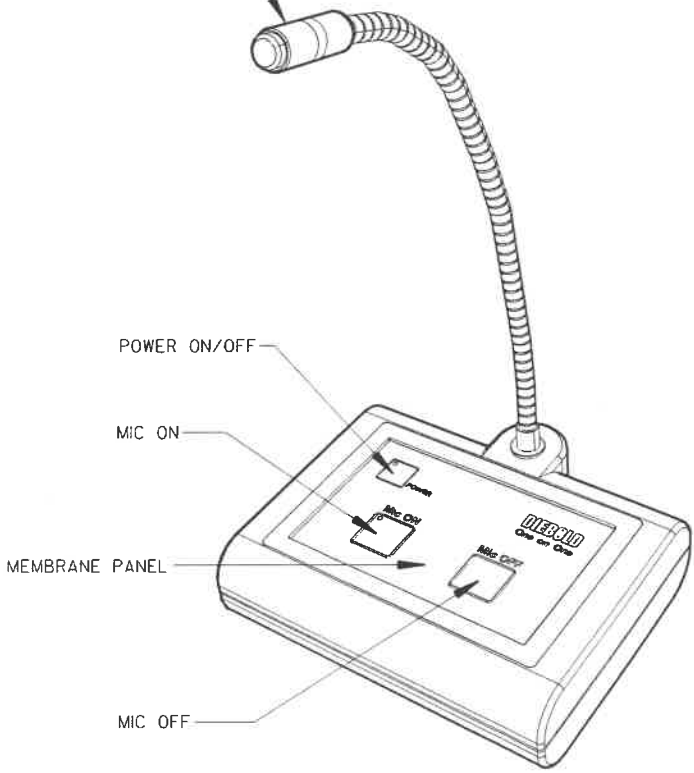
- ONE ON ONE AUDIO MUST BE LOCATED WITHIN 10'-0" OF ELECTRICAL OUTLET.
- DEDICATED OUTLET RECOMMENDED

DIMENSIONS IN MILLIMETRES
 (DIMENSIONS IN FEET-INCHES)

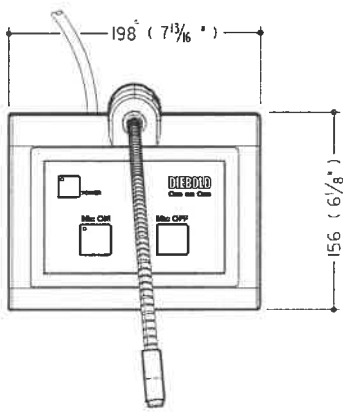
THIRD ANGLE
 PROJECTION



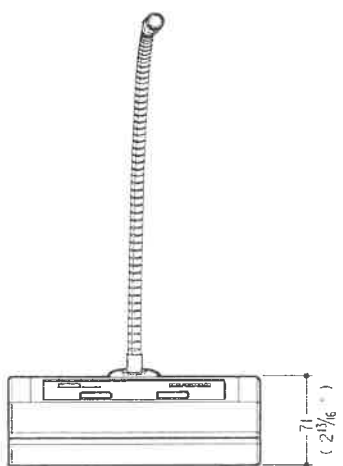
MICROPHONE



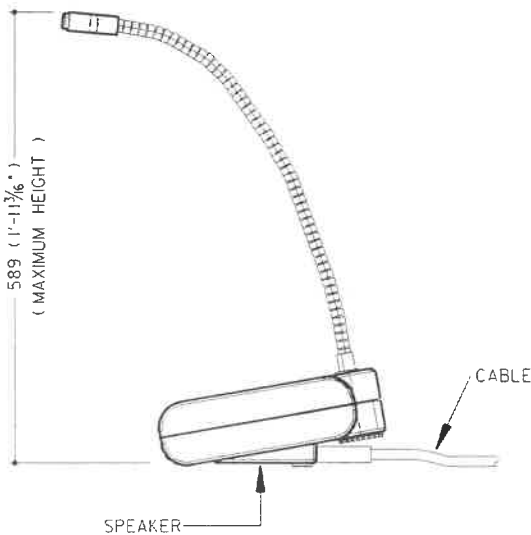
PERSPECTIVE



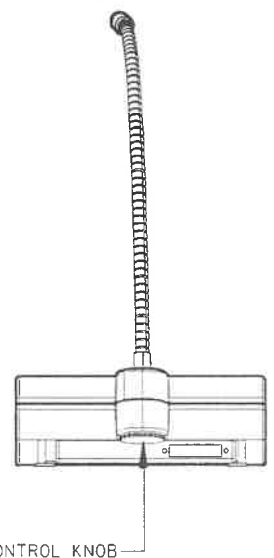
PLAN VIEW



FRONT VIEW



SIDE VIEW



BACK VIEW

LIB81771

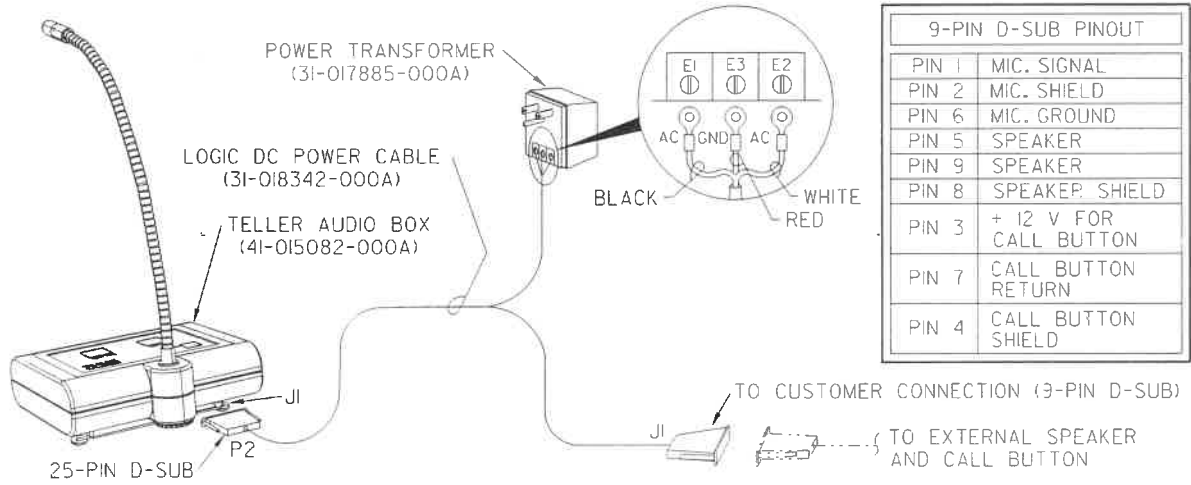
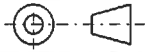
LITHO IN U.S.A. 0994-19

*ALL DIMENSIONS AND DESIGN CRITERIA
 SUBJECT TO CHANGE WITHOUT NOTICE.*

FILE NO. 178-1771

DIMENSIONS IN MILLIMETRES
(DIMENSIONS IN FEET-INCHES)

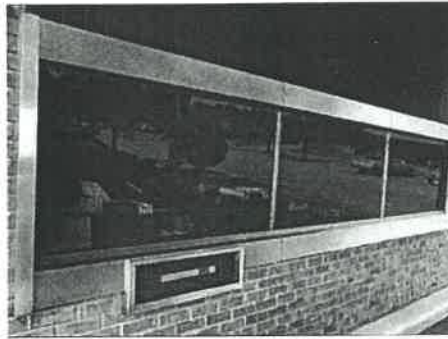
THIRD ANGLE
PROJECTION



WIRING DIAGRAM

Model 121-70 STANDARD
121-80 DELUXE

Transaction Windows



Diebold's drive-up transaction windows provide a cost effective approach to reducing transaction turn-around times and improving operational efficiency. Standard and deluxe models are available to accommodate one, two, or three tellers. All models are UL listed for Level One bullet resistance.

Durable bullet-resistive frames

Unlike some drive-up transaction windows which use non bullet-resistive frames, all Diebold window frames are constructed of carbon steel and are coated with a durable powder paint finish. This frame design is not only durable, but also has been proven in tests by UL to be bullet-resistant providing additional security in the event of an attack. All mullions between the glass panels are also bullet-resistive.

Laminated glass with exclusive design

The glass used in Diebold's drive-up transaction windows is a laminated UL listed Level One medium power small arms product. It consists of five laminations for an overall thickness of 1 5/16" (3.33 cm). The glass comes standard in a clear tint and is angled outward at the top of the window to reduce glare and reflection.

All windows incorporate an exclusive and patented Diebold feature that simplifies replacing glass. The glass is secured from the inside but removed from the outside eliminating the need to dismantle countertops or carry heavy panels of glass through the facility. This feature saves time and money by reducing labor costs and minimizing disruptions at the site.

Easy installation

All windows are shipped in kit form and only require an easy screw together installation. This eliminates the expense and difficulty of handling a large, awkward and heavy assembled window at the job site.

Standard and deluxe models

The standard window is designed to be easily installed by a contractor as the wall opening is built. It is available in single, double or triple width windows.

Deluxe models add an attractive and distinctive weather-resistant polished stainless steel trim package which covers a full brick gap on all four sides of the window opening.

Total solutions provide functionality

All Diebold transaction windows can be equipped with Diebold's large capacity counterette and metal undercounter equipment and can accommodate any Diebold Visual Auto Teller (VAT) system.

FEATURES

- UL tested durable bullet-resistive frames and mullions
- UL listed laminated glass
- Simple installation
- Exclusive design simplifies glass replacement

OPTIONS

- Counter-top heat kits
- Defroster strips
- Overhead light fixtures
- Window shade kits (white with black closed symbol standard)
- Tinted glass in gray, green and solar bronze

SPECIFICATIONS

DIMENSIONS

	STANDARD	DELUXE
5' Single	750 lbs	875 lbs
8' Double	1,100 lbs	1,300 lbs
10' Double	1,350 lbs	1,650 lbs
15' Triple	2,000 lbs	3,025 lbs

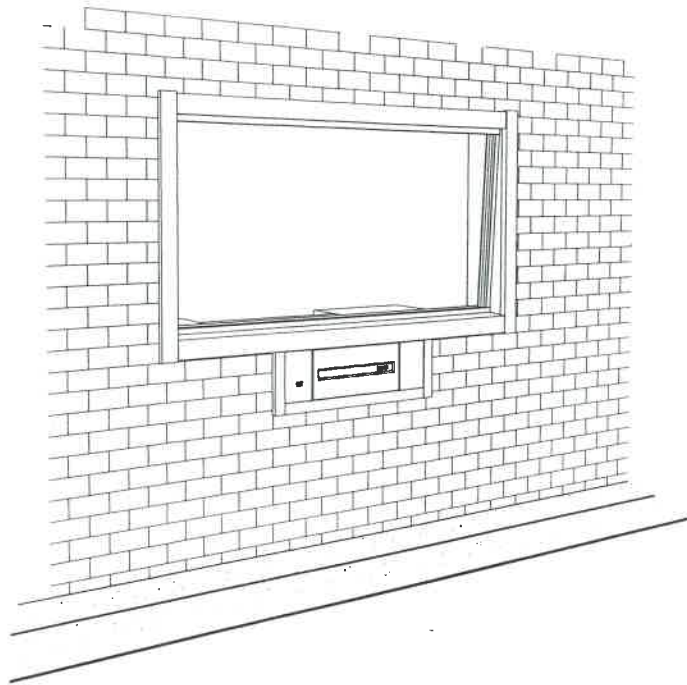
ELECTRICAL

Optional counter top heaters, defrosters and light kits require 115 VAC, 60 Hz, 15 Amp circuits. Receptacles and duplex outlets are not provided.

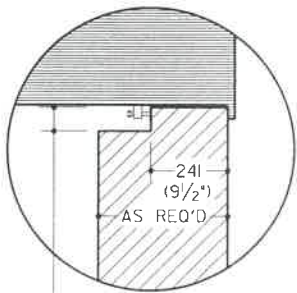
For further details and architectural dimensions for Diebold transaction windows, contact your Diebold representative.

DIEBOLD

P.O. Box 3077 • Dept. 9-B-10
North Canton, Ohio 44720-8077

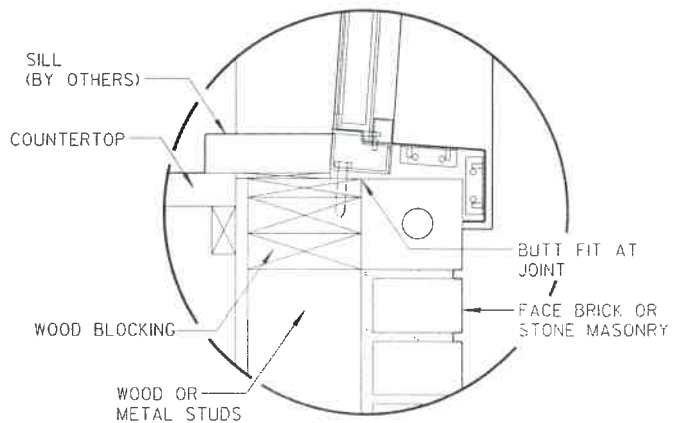


EXTERIOR PERSPECTIVE
12I-80 (5'-0") DELUXE B.R. VISION WINDOW

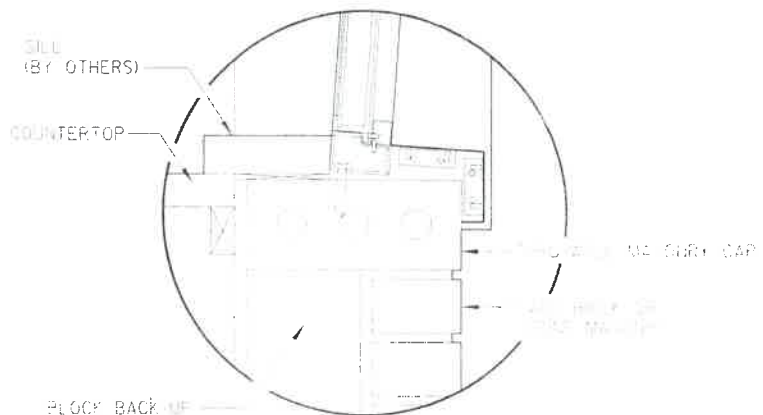


76 (3") NOTCH (FULL WIDTH OF
COUNTERETTE OPENING) REQUIRED
IN WALL OVER 241 (9 1/2")

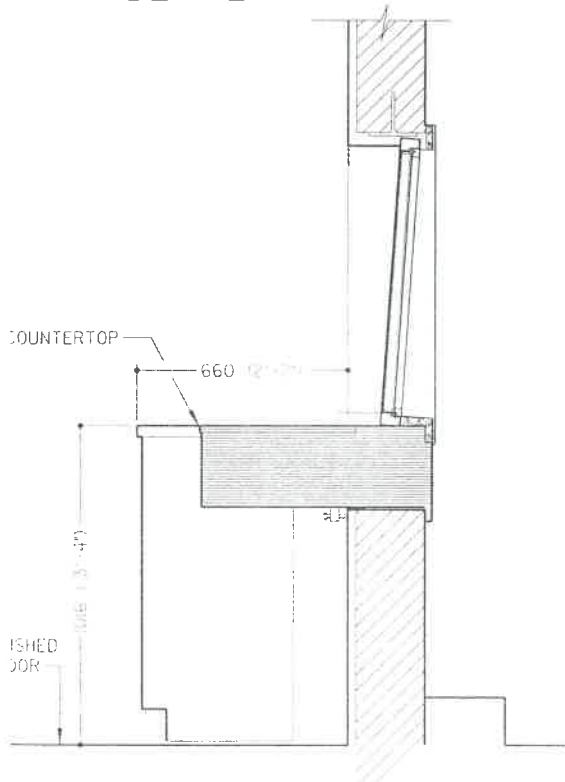
DETAIL A



TYPICAL MASONRY VENEER INSTALLATION



TYPICAL MASONRY INSTALLATION



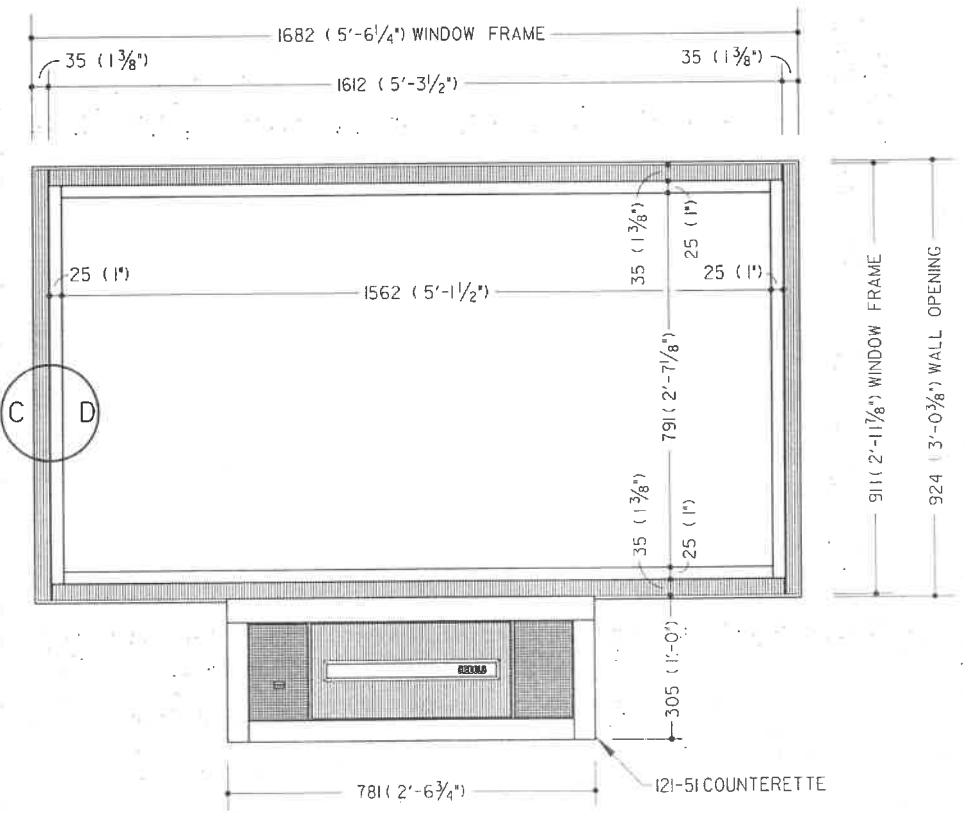
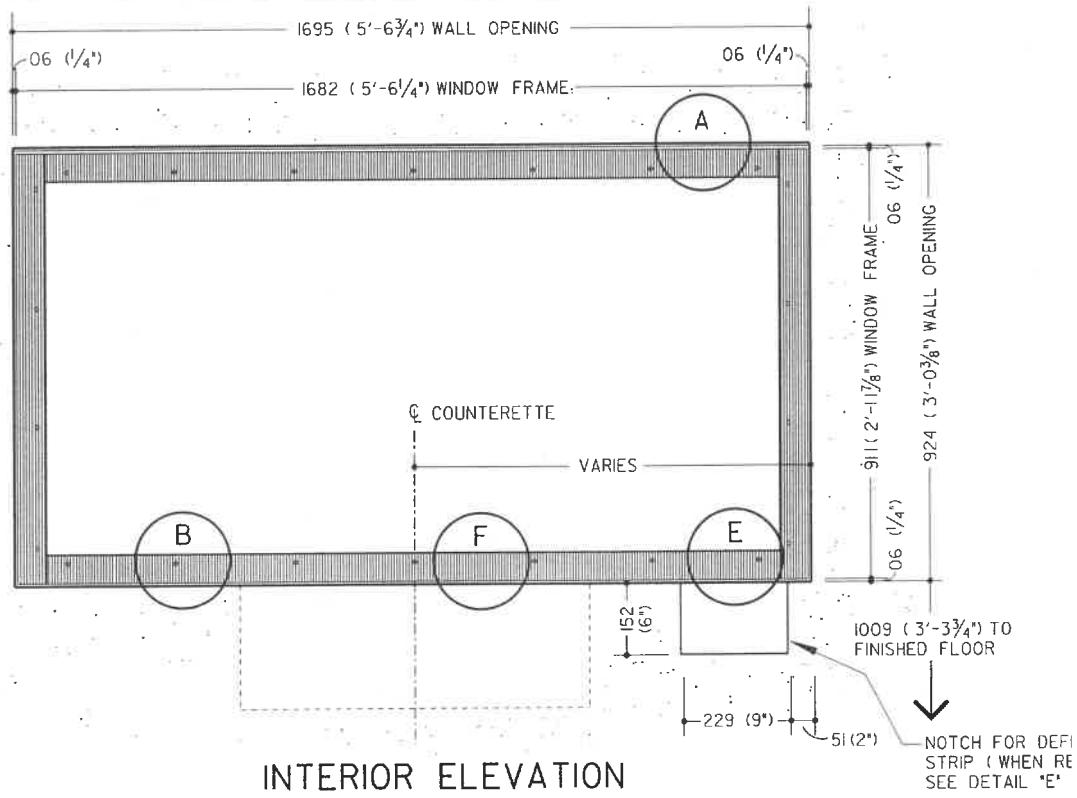
WINDOW WITH 12I-51 COUNTERETTE

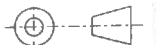
L246772

LITHO IN U.S.A. 0796•19

*ALL DIMENSIONS AND DESIGN CRITERIA
SUBJECT TO CHANGE WITHOUT NOTICE.*

FILE NO. 178-1772 REV. 2





* MAXIMUM WALL FINISH FOR
REMOVAL OF SCREWS SECURING
EXTERIOR GLASS RETAINER

NOTE: A

HOLD 13 (1/2") (AT TOP OF WINDOW) FROM EXTERIOR WALL
FINISH TO WINDOW FRAME AND 76 (3") (AT BOTTOM OF
WINDOW) FROM EXTERIOR WALL FINISH TO WINDOW FRAME.

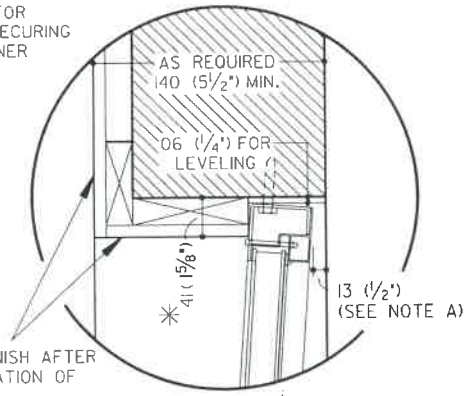
SPECIFICATIONS:

FINISH:
 INTERIOR — PAINTED BLACK
 EXTERIOR — PAINTED BLACK WITH
 STAINLESS STEEL GLASS RETAINER

GLASS:
 LEVEL ONE - MEDIUM POWER
 SMALL ARMS

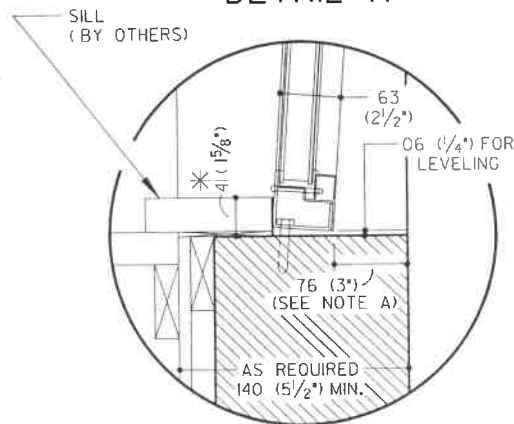
OPTIONAL EXTRAS FOR WINDOW

- B.R. GLASS COLORS: GRAY GREEN SOLAR BRONZE
- COUNTER TOP HEAT
- DEFROSTER STRIP
- LIGHT FIXTURE
- SHADE BOX: CONCEALED EXPOSED
- 121-51 COUNTERETTE (MOTORIZED)
- 134-34 AUDIO (REQUIRED ONLY WHEN NO VATS
ARE ORDERED)

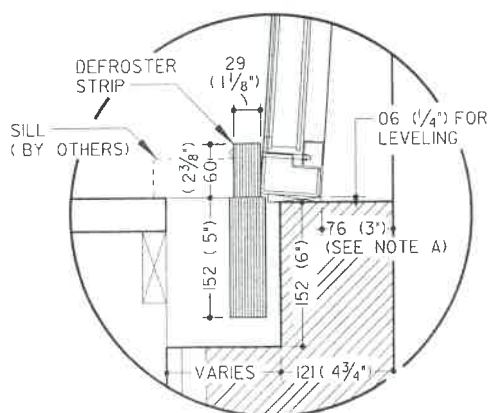


WALL FINISH AFTER
INSTALLATION OF
WINDOW

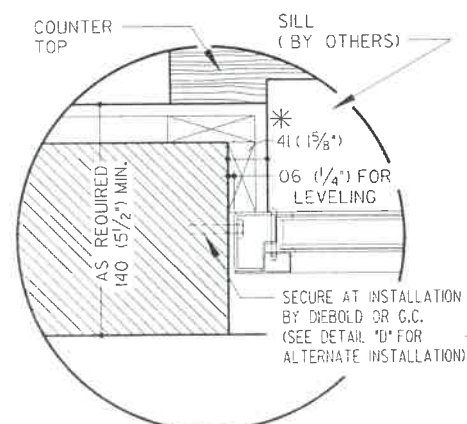
DETAIL A



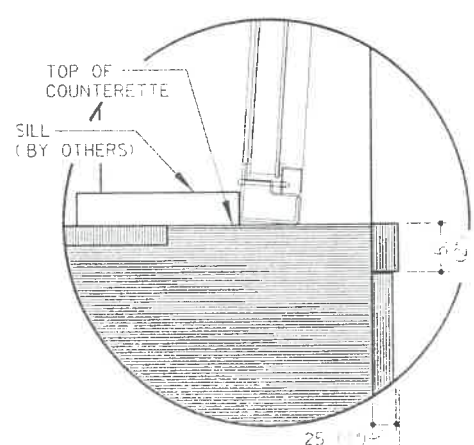
DETAIL B



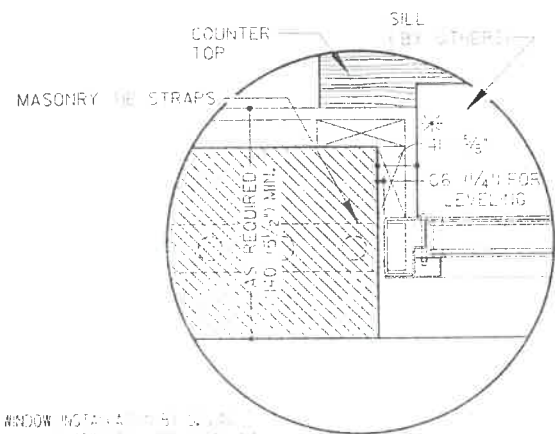
DETAIL E



DETAIL C



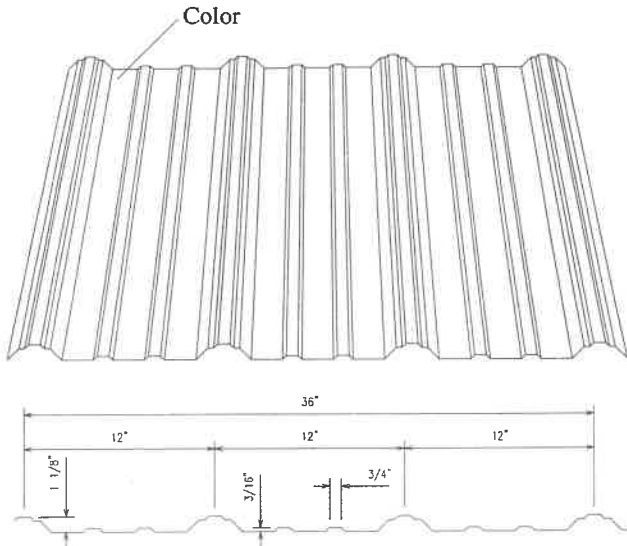
DETAIL F



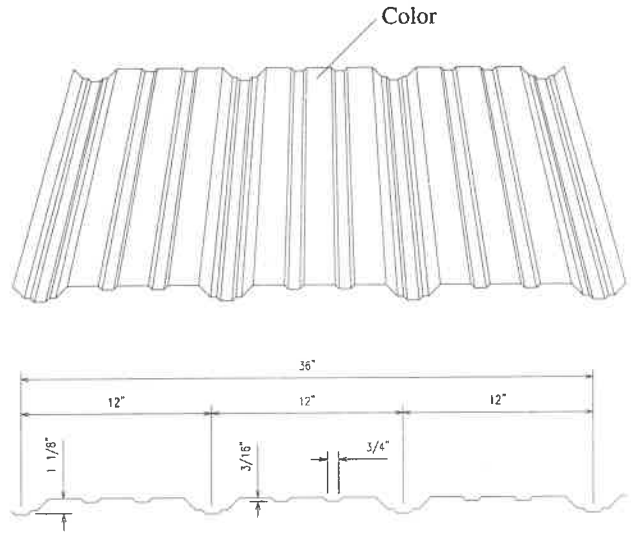
DETAIL D

WINDOW MOUNTING TO BE SECURED TO
WALL COUNTER TOP WITH 1/2" DIA. SCREWS
FOR ALTERNATE INSTALLATION

Chief Standard Panel Color & Gauge Availability



CS - Chief Standard Panel (wall & roof)



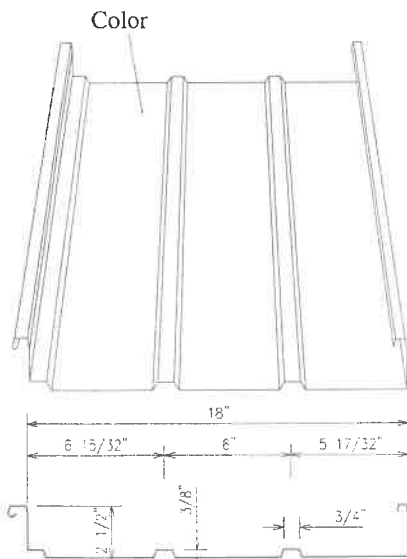
AP - Architectural Panel (wall only)

CS & AP Panels available in:

24 Ga. Panel
GALVALUME
Parchment

26 Ga. Panel
GALVALUME
Parchment
Antique Bronze
Sierra Madre
Fieldstone

26 Ga. Panel
Slate Blue
Cherokee
Ash Gray
Polar White
Charcoal



LTC - Standing Seam Panel
(roof only)

LTC panel available in:

24 Ga. Panel
GALVALUME
Parchment
Antique Bronze
Emerald Green

26 Ga. Panel
GALVALUME

26 Ga. Trim available in:

GALVALUME
Parchment
Antique Bronze
Sierra Madre
Fieldstone
Slate Blue
Cherokee
Ash Gray
Polar White
Charcoal
Emerald Green

CHIEF
CHIEF INDUSTRIES, INC.
3942 West Old Highway 30
P. O. Box 2078
Grand Island, NE 68802-2078

